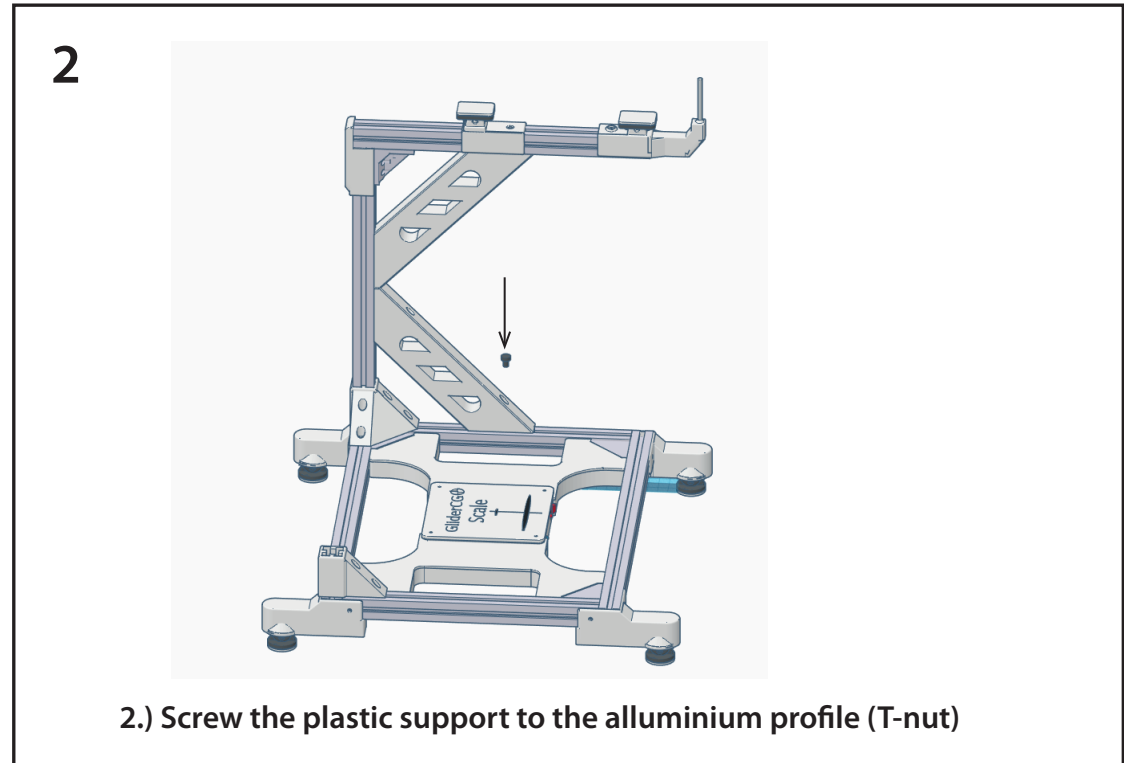
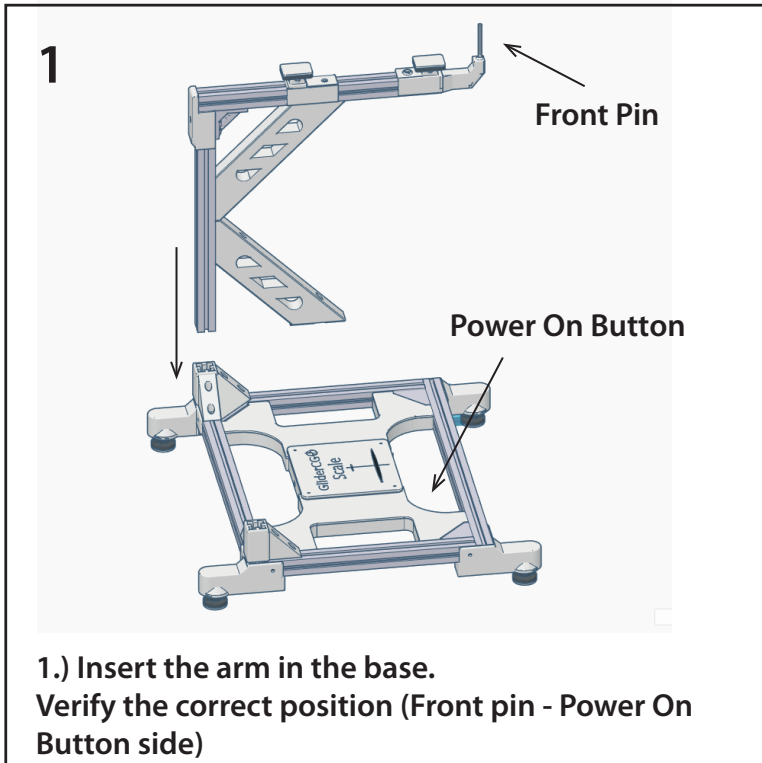
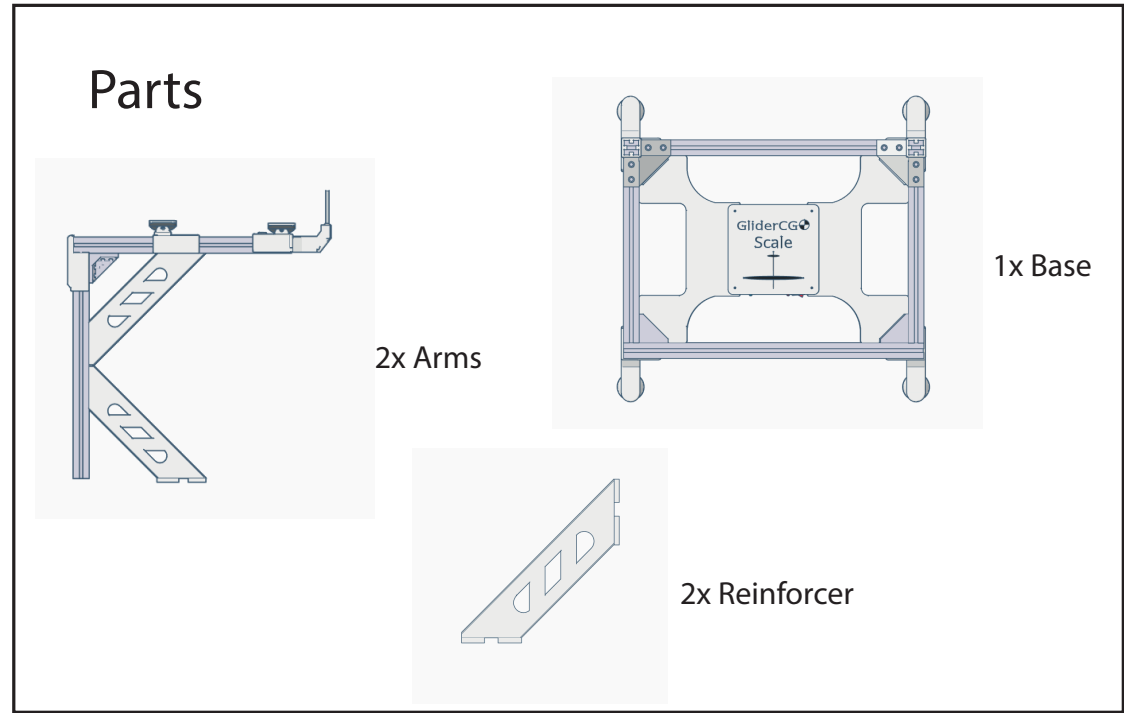
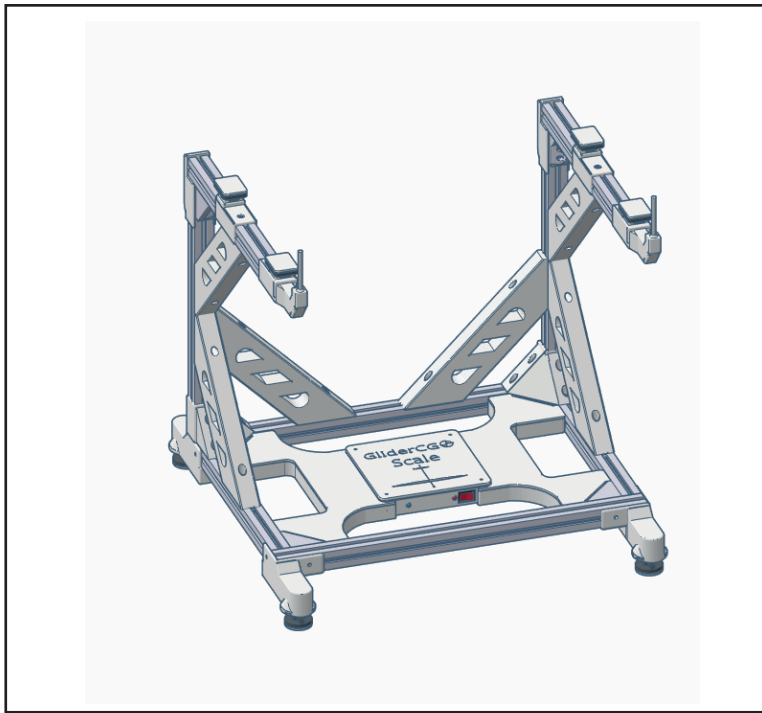
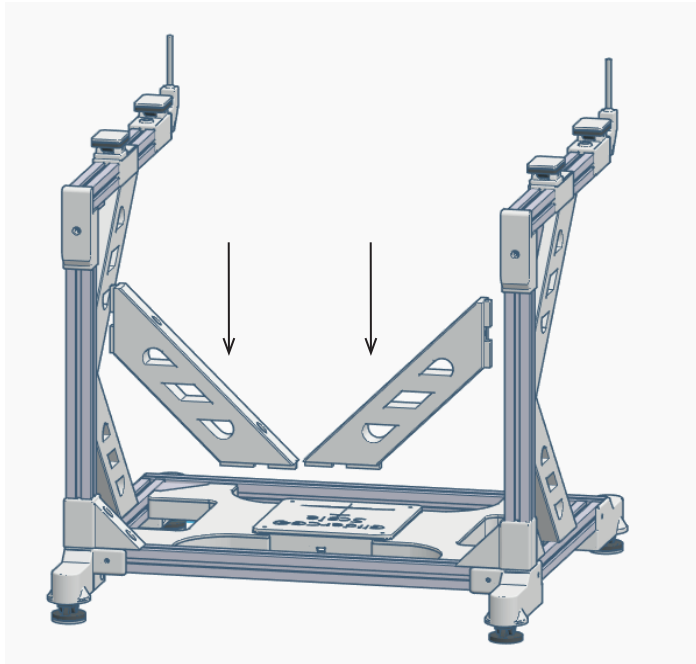


GliderCG Scale Landing Gear Version

Quick Assembly Guide

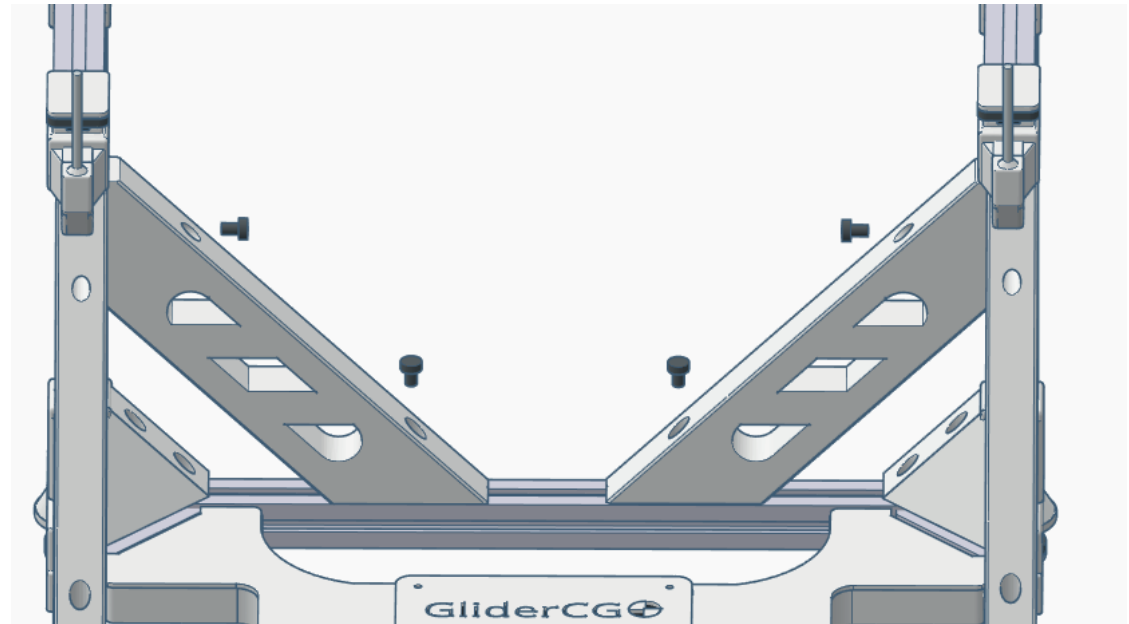


3



3.) Place the reinforcers in the back of the device

4



4.) Screw the reinforcers with M4x8 hex Screws & T-nuts

T-Nut

